



AFRICA
HDPE
FABRICATION & FITTINGS

HDPE MOLDED FITTINGS

Africa HDPE is a leading provider of HDPE products for a variety of applications. Our HDPE products are made from high-density polyethylene and are highly durable and resistant to wear and tear chemicals, and extreme temperatures. Africa HDPE specializes in the fabrication of custom HDPE products and supplies a wide range of HDPE fittings.

We strive to provide our customers with the highest quality HDPE products available, at a competitive price along with excellent customer service.

Contact us today to learn more about our products and services.

HDPE MOLDED FITTINGS

COMPRESSION FITTINGS:

FEMALE ADAPTOR:

CODE	d x BSP
CFA-SME-016-0500	16 x ½"
CFA-SME-016-0750	16 x ¾"
CFA-SME-020-0500	20 x ½"
CFA-SME-020-0750	20 x ¾"
CFA-SME-025-0500	25 x ½"
CFA-SME-025-0750	25 x ¾"
CFA-SME-025-1000	25 x 1"
CFA-SME-032-0500	32 x ½"
CFA-SME-032-0750	32 x ¾"
CFA-SME-032-1000	32 x 1"
CFA-SME-032-1250	32 x 1¼"
CFA-SME-040-1000	40 x 1"
CFA-SME-040-1250	40 x 1¼"
CFA-SME-040-1500	40 x 1½"
CFA-SME-050-1250	50 x 1¼"
CFA-SME-050-1500	50 x 1½"
CFA-SME-050-2000	50 x 2"
CFA-SME-063-1500	63 x 1½"
CFA-SME-063-2000	63 x 2"
CFA-SME-063-2500	63 x 2½"
CFA-SME-075-2000	75 x 2"
CFA-SME-075-2500	75 x 2½"
CFA-SME-075-3000	75 x 3"
CFA-SME-090-2000	90 x 2"
CFA-SME-090-2500	90 x 2½"
CFA-SME-090-3000	90 x 3"
CFA-SME-090-4000	90 x 4"
CFA-SME-110-2000	110 x 2"
CFA-SME-110-2500	110 x 2½"
CFA-SME-110-3000	110 x 3"
CFA-SME-110-4000	110 x 4"

MALE ADAPTOR:

CODE	d x BSP
CMA-SME-016-0375	16 x ⅜"
CMA-SME-016-0500	16 x ½"
CMA-SME-016-0750	16 x ¾"
CMA-SME-020-0500	20 x ½"
CMA-SME-020-0750	20 x ¾"
CMA-SME-025-0500	25 x ½"
CMA-SME-025-0750	25 x ¾"
CMA-SME-025-1000	25 x 1"
CMA-SME-032-0500	32 x ½"
CMA-SME-032-0750	32 x ¾"
CMA-SME-032-1000	32 x 1"
CMA-SME-032-1250	32 x 1¼"
CMA-SME-040-1000	40 x 1"
CMA-SME-040-1250	40 x 1¼"
CMA-SME-040-1500	40 x 1½"
CMA-SME-050-1250	50 x 1¼"
CMA-SME-050-1500	50 x 1½"
CMA-SME-050-2000	50 x 2"
CMA-SME-063-1500	63 x 1½"
CMA-SME-063-2000	63 x 2"
CMA-SME-063-2500	63 x 2½"
CMA-SME-075-2000	75 x 2"
CMA-SME-075-2500	75 x 2½"
CMA-SME-075-3000	75 x 3"
CMA-SME-090-2000	90 x 2"
CMA-SME-090-2500	90 x 2½"
CMA-SME-090-3000	90 x 3"
CMA-SME-090-4000	90 x 4"
CMA-SME-110-2000	110 x 2"
CMA-SME-110-2500	110 x 2½"
CMA-SME-110-3000	110 x 3"
CMA-SME-110-4000	110 x 4"



COUPLING

CODE	d x d
CC-SME-016-016	16 x 16
CC-SME-020-020	20 x 20
CC-SME-025-025	25 x 25
CC-SME-032-032	32 x 32
CC-SME-040-040	40 x 40
CC-SME-050-050	50 x 50
CC-SME-063-063	63 x 63
CC-SME-075-075	75 x 75
CC-SME-090-090	90 x 90
CC-SME-110-110	110 x 110



EQUAL TEE

CODE	d x d x d
CT-SME-016-016-016	16 x 16 x 16
CT-SME-020-020-020	20 x 20 x 20
CT-SME-025-025-025	25 x 25 x 25
CT-SME-032-032-032	32 x 32 x 32
CT-SME-040-040-040	40 x 40 x 40
CT-SME-050-050-050	50 x 50 x 50
CT-SME-063-063-063	63 x 63 x 63
CT-SME-075-075-075	75 x 75 x 75
CT-SME-090-090-090	90 x 90 x 90
CT-SME-110-110-110	110 x 110 x 110



90 DEGREE ELBOW

CODE	d x d
CE-SME-016-016	16 x 16
CE-SME-020-020	20 x 20
CE-SME-025-025	25 x 25
CE-SME-032-032	32 x 32
CE-SME-040-040	40 x 40
CE-SME-050-050	50 x 50
CE-SME-063-063	63 x 63
CE-SME-075-075	75 x 75
CE-SME-090-090	90 x 90
CE-SME-110-110	110 x 110



END PLUG

CODE	d x d
CEP-SME-016	16
CEP-SME-020	20
CEP-SME-025	25
CEP-SME-032	32
CEP-SME-040	40
CEP-SME-050	50
CEP-SME-063	63
CEP-SME-075	75
CEP-SME-090	90
CEP-SME-110	110



REDUCING COUPLING

CODE	D x d
CRC-SME-020-016	20 x 16
CRC-SME-025-020	25 x 20
CRC-SME-032-020	32 x 20
CRC-SME-032-025	32 x 25
CRC-SME-040-020	40 x 20
CRC-SME-040-025	40 x 25
CRC-SME-040-032	40 x 32
CRC-SME-050-025	50 x 25
CRC-SME-050-032	50 x 32
CRC-SME-050-040	50 x 40
CRC-SME-063-025	63 x 25
CRC-SME-063-032	63 x 32
CRC-SME-063-040	63 x 40
CRC-SME-063-050	63 x 50
CRC-SME-075-050	75 x 50
CRC-SME-075-063	75 x 63
CRC-SME-090-063	90 x 63
CRC-SME-090-075	90 x 75
CRC-SME-110-063	110 x 63
CRC-SME-110-075	110 x 75
CRC-SME-110-90	110 x 90

REDUCING TEE

CODE	D x d X D
CRT-SME-020-016-020	20 x 16 x 20
CRT-SME-025-020-025	25 x 20 x 25
CRT-SME-032-020-032	32 x 20 x 32
CRT-SME-032-025-032	32 x 25 x 25
CRT-SME-040-020-040	40 x 20 x 40
CRT-SME-040-025-040	40 x 25 x 40
CRT-SME-040-032-040	40 x 32 x 40
CRT-SME-050-025-050	50 x 25 x 50
CRT-SME-050-032-050	50 x 32 x 50
CRT-SME-050-040-050	50 x 40 x 50
CRT-SME-063-025-063	63 x 25 x 63
CRT-SME-063-032-063	63 x 32 x 63
CRT-SME-063-040-063	63 x 40 x 63
CRT-SME-063-050-063	63 x 50 x 63
CRT-SME-075-050-075	75 x 50 x 75
CRT-SME-075-063-075	75 x 63 x 75
CRT-SME-090-063-090	90 x 63 x 90
CRT-SME-090-075-090	90 x 75 x 90
CRT-SME-110-063-110	110 x 63 x 110
CRT-SME-110-075-110	110 x 75 x 110
CRT-SME-110-90-110	110 x 90 x 110





MALE TEE

CODE	d x BSP x d
CMT-SME-016-0500-016	16 x ½" x 16
CMT-SME-016-0750-016	16 x ¾" x 16
CMT-SME-020-0500-020	20 x ½" x 20
CMT-SME-020-0750-020	20 x ¾" x 20
CMT-SME-025-0500-025	25 x ½" x 25
CMT-SME-025-0750-025	25 x ¾" x 25
CMT-SME-025-1000-025	25 x 1" x 25
CMT-SME-025-1250-025	25 x 1¼" x 25
CMT-SME-032-0500-032	32 x ½" x 32
CMT-SME-032-0750-032	32 x ¾" x 32
CMT-SME-032-1000-032	32 x 1" x 32
CMT-SME-032-1250-032	32 x 1¼" x 32
CMT-SME-040-1000-040	40 x 1" x 40
CMT-SME-040-1250-040	40 x 1¼" x 40
CMT-SME-040-1500-040	40 x 1½" x 40
CMT-SME-050-1000-050	50 x 1" x 50
CMT-SME-050-1250-050	50 x 1¼" x 50
CMT-SME-050-1500-050	50 x 1½" x 50
CMT-SME-050-2000-050	50 x 2" x 50
CMT-SME-063-1250-063	63 x 1¼" x 63
CMT-SME-063-1500-063	63 x 1½" x 63
CMT-SME-063-2000-063	63 x 2" x 63
CMT-SME-063-2500-063	63 x 2½" x 63
CMT-SME-075-2000-075	75 x 2" x 75
CMT-SME-075-2500-075	75 x 2½" x 75
CMT-SME-075-3000-075	75 x 3" x 75
CMT-SME-090-2500-090	90 x 2½" x 90
CMT-SME-090-3000-090	90 x 3" x 90
CMT-SME-090-4000-090	90 x 4" x 90
CMT-SME-110-3000-110	110 x 3" x 110
CMT-SME-110-4000-090	110 x 4" x 110

FEMALE TEE

CODE	d x BSP x d
CFT-SME-016-0500-016	16 x ½" x 16
CFT-SME-016-0750-016	16 x ¾" x 16
CFT-SME-020-0500-020	20 x ½" x 20
CFT-SME-020-0750-020	20 x ¾" x 20
CFT-SME-025-0500-025	25 x ½" x 25
CFT-SME-025-0750-025	25 x ¾" x 25
CFT-SME-025-1000-025	25 x 1" x 25
CFT-SME-032-0500-032	32 x ½" x 32
CFT-SME-032-0750-032	32 x ¾" x 32
CFT-SME-032-1000-032	32 x 1" x 32
CFT-SME-032-1250-032	32 x 1¼" x 32
CFT-SME-040-0750-040	40 x 1¾" x 40
CFT-SME-040-1000-040	40 x 1" x 40
CFT-SME-040-1250-040	40 x 1¼" x 40
CFT-SME-040-1500-040	40 x 1½" x 40
CFT-SME-050-1000-050	50 x 1" x 50
CFT-SME-050-1250-050	50 x 1¼" x 50
CFT-SME-050-1500-050	50 x 1½" x 50
CFT-SME-050-2000-050	50 x 2" x 50
CFT-SME-063-1250-063	63 x 1¼" x 63
CFT-SME-063-1500-063	63 x 1½" x 63
CFT-SME-063-2000-063	63 x 2" x 63
CFT-SME-063-2500-063	63 x 2½" x 63
CFT-SME-075-2000-075	75 x 2" x 75
CFT-SME-075-2500-075	75 x 2½" x 75
CFT-SME-075-3000-075	75 x 3" x 75
CFT-SME-090-2500-090	90 x 2½" x 90
CFT-SME-090-3000-090	90 x 3" x 90
CFT-SME-090-4000-090	90 x 4" x 90
CFT-SME-110-3000-110	110 x 3" x 110
CFT-SME-110-4000-090	110 x 4" x 110



MALE ELBOW

CODE	d x BSP
CME-SME-016-0500	16 x ½"
CME-SME-016-0750	16 x ¾"
CME-SME-020-0500	20 x ½"
CME-SME-020-0750	20 x ¾"
CME-SME-025-0500	25 x ½"
CME-SME-025-0750	25 x ¾"
CME-SME-025-1000	25 x 1"
CME-SME-032-0500	32 x ½"
CME-SME-032-0750	32 x ¾"
CME-SME-032-1000	32 x 1"
CME-SME-032-1250	32 x 1¼"
CME-SME-040-1000	40 x 1"
CME-SME-040-1250	40 x 1¼"
CME-SME-040-1500	40 x 1½"
CME-SME-050-1250	50 x 1¼"
CME-SME-050-1500	50 x 1½"
CME-SME-050-2000	50 x 2"
CME-SME-063-1500	63 x 1½"
CME-SME-063-2000	63 x 2"
CME-SME-063-2500	63 x 2½"
CME-SME-075-2000	75 x 2"
CME-SME-075-2500	75 x 2½"
CME-SME-075-3000	75 x 3"
CME-SME-090-2500	90 x 2½"
CME-SME-090-3000	90 x 3"
CME-SME-090-4000	90 x 4"
CME-SME-110-3000	110 x 3"
CME-SME-110-4000	110 x 4"



FEMALE ELBOW

CODE	d x BSP
CFE-SME-016-0500	16 x ½"
CFE-SME-016-0750	16 x ¾"
CFE-SME-020-0500	20 x ½"
CFE-SME-020-0750	20 x ¾"
CFE-SME-025-0500	25 x ½"
CFE-SME-025-0750	25 x ¾"
CFE-SME-025-1000	25 x 1"
CFE-SME-032-0500	32 x ½"
CFE-SME-032-0750	32 x ¾"
CFE-SME-032-1000	32 x 1"
CFE-SME-032-1250	32 x 1¼"
CFE-SME-040-0750	40 x ¾"
CFE-SME-040-1000	40 x 1"
CFE-SME-040-1250	40 x 1¼"
CFE-SME-040-1500	40 x 1½"
CFE-SME-050-1250	50 x 1¼"
CFE-SME-050-1500	50 x 1½"
CFE-SME-050-2000	50 x 2"
CFE-SME-063-1500	63 x 1½"
CFE-SME-063-2000	63 x 2"
CFE-SME-063-2500	63 x 2½"
CFE-SME-075-2000	75 x 2"
CFE-SME-075-2500	75 x 2½"
CFE-SME-075-3000	75 x 3"
CFE-SME-090-2500	90 x 2½"
CFE-SME-090-3000	90 x 3"
CFE-SME-090-4000	90 x 4"
CFE-SME-110-3000	110 x 3"
CFE-SME-110-4000	110 x 4"





REDUCING ELBOW

CODE	D x d
CRE-SME-025-020	25 x 20
CRE-SME-032-025	32 x 25
CRE-SME-040-032	40 x 32
CRE-SME-050-040	50 x 40
CRE-SME-063-050	63 x 50
CRE-SME-075-063	75 x 63
CRE-SME-090-075	90 x 75
CRE-SME-110-075	110 x 75
CRE-SME-110-90	110 x 90

FLANGE ADAPTOR

CODE	d x BSP
CFA-SME-040-1500	40 x 1½"
CFA-SME-050-1500	50 x 1½"
CFA-SME-063-2000	63 x 2"
CFA-SME-063-2500	63 x 2½"
CFA-SME-075-2500	75 x 2½"
CFA-SME-075-3000	75 x 3"
CFA-SME-090-3000	90 x 3"
CFA-SME-090-4000	90 x 4"
CFA-SME-110-4000	110 x 4"



Moulded Fittings

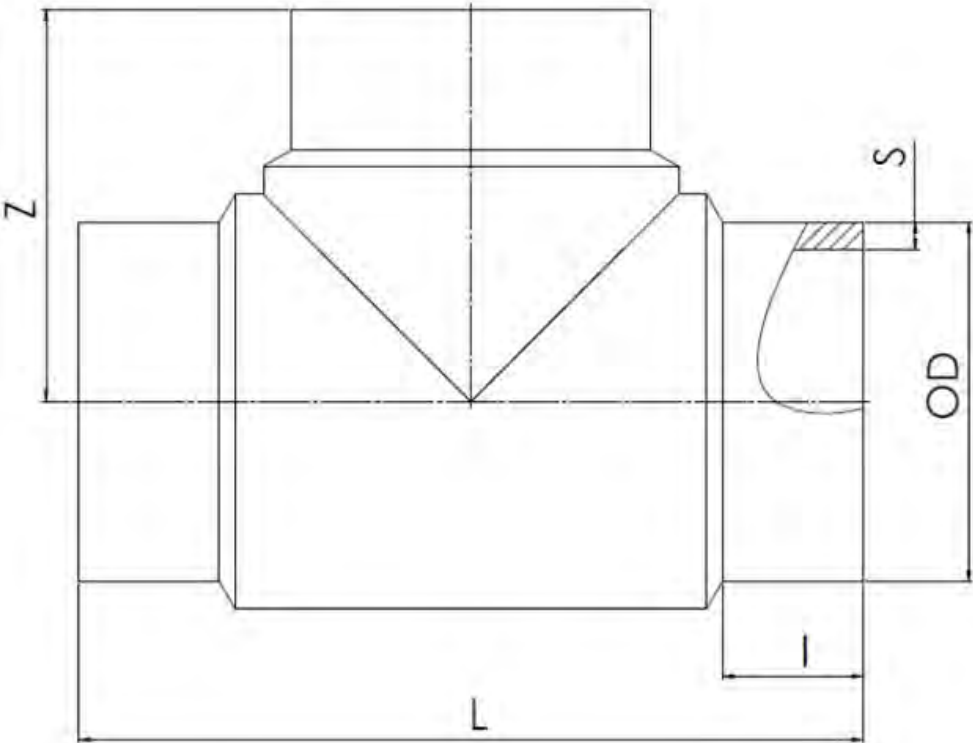
AFRICA
HDPE

SDR 17 & 11

OD	I	Z	I
20	50	25	8
25	60	30	10
32	72	36	12
40	88	44	16
50	116	58	21
63	146	73	24
75	170	85	28
90	200	100	23
110	240	120	43
125	250	125	26
140	280	140	32
160	320	160	40
180	390	195	73
200	430	215	70
225	480	240	72
250	550	275	86
280	620	310	105
315	700	350	111
355	658	330	95
400	682	345	104
450	890	450	130
500	890	450	130

SDR 33

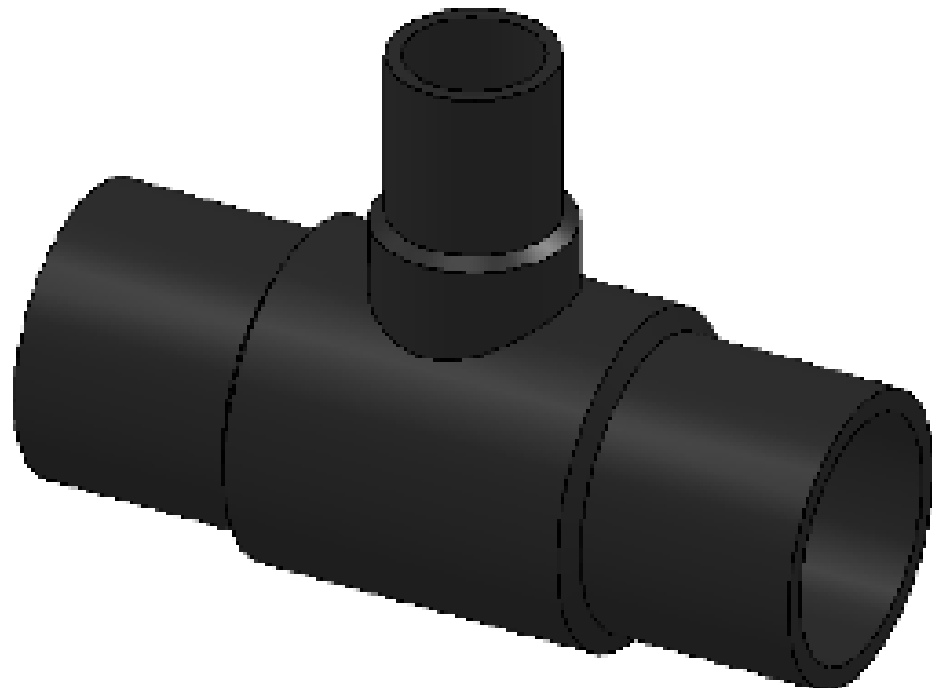
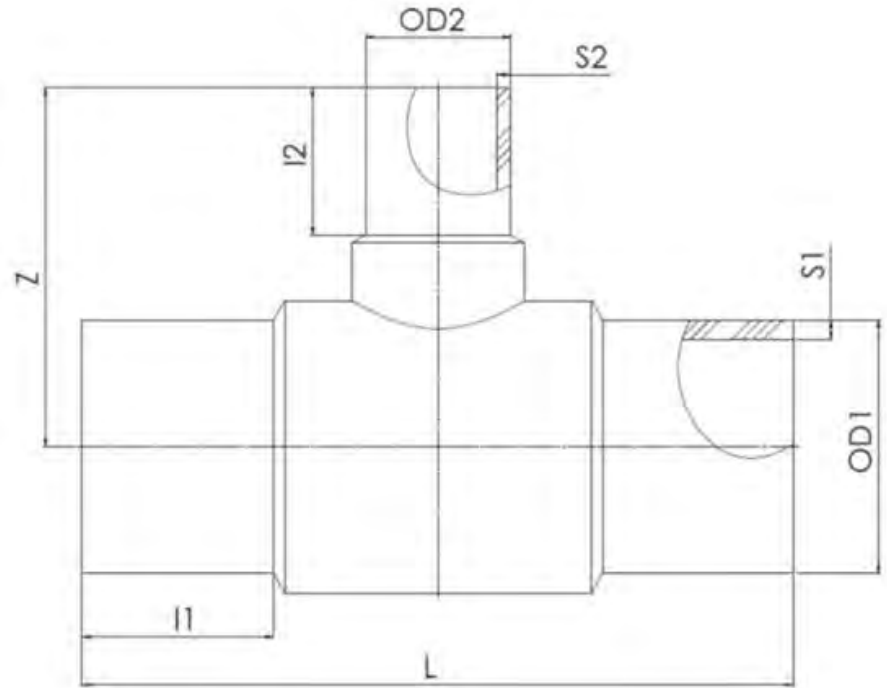
OD	L	Z	I
110	249	121	50
125	262	132	47
140	293	145	48
160	318	160	55
180	356	175	59
200	385	194	55
225	442	212	59
250	465	232	70
280	536	268	80
315	530	263	75
355	658	330	95
400	690	345	104
450	890	450	130
500	895	450	130



Reducing Tees DR 17 & 11

AFRICA
HDPE

OD ¹	OD ²	L	Z	F	F
63	50	215	103	63	56
75	32	255	107	70	46
75	50	253	108	70	55
75	63	255	117	70	63
90	32	203	85	52	23
90	50	203	94	52	27
90	63	269	135	79	63
90	75	272	138	73	70
110	32	230	91	65	22
110	50	230	101	65	27
110	63	309	156	83	64
110	75	309	151	82	70
110	90	310	152	82	79
125	63	264	110	70	31
125	90	335	170	110	91
125	110	335	170	87	82
140	63	291	120	82	32
140	75	291	130	81	35
140	90	291	130	81	38
140	110	291	137	50	43
160	63	340	174	98	64
160	75	340	179	98	74
160	90	340	179	98	79
160	110	390	201	98	83
160	125	315	150	58	47
180	63	348	132	125	30
180	75	348	140	112	30
180	90	395	200	136	97
180	110	395	210	140	98
180	125	348	160	92	50
180	160	412	206	101	91
200	63	382	145	143	41
200	90	388	162	125	38
200	110	388	160	120	40
200	125	388	165	114	43
200	160	388	178	98	53
225	75	445	227	118	75
225	90	445	227	118	79
225	110	445	227	117	83
225	125	435	173	135	40
225	160	488	244	119	98
225	180	553	283	131	131
250	110	435	190	134	37
250	160	440	213	110	58
315	110	555	290	170	100
315	160	585	310	170	120
315	225	650	335	170	145
315	250	680	340	170	150



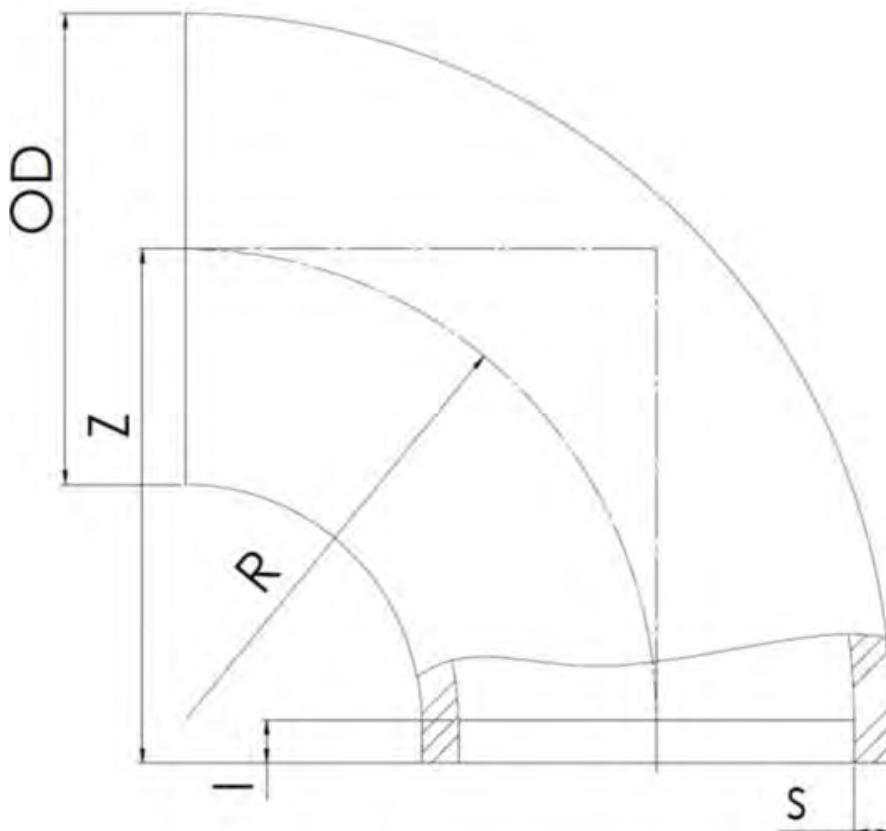


Bends 90 degree - SDR 33

OD	Z	I	R
110	120	10	110
125	140	15	125
140	150	10	140
160	180	25	155
180	200	25	175
200	220	23	197
225	250	20	230
250	290	25	265
280	290	10	280
315	340	40	300
355	340	40	300
400	345	45	300
450	450	50	400
500	450	50	400

Bends 90 degree - SDR 17 & 11

OD	Z	I	R
20	25	5	20
25	30	5	25
32	36	4	32
40	43	3	40
50	51	1	50
63	64	1	63
75	85	10	75
90	100	10	90
110	120	10	110
125	140	15	125
140	155	15	140
160	175	15	160
180	195	15	180
200	215	15	200
225	245	20	225
250	275	25	250
280	310	30	280
315	350	35	315
355	340	40	300
400	345	45	300
450	450	50	400
500	450	50	400



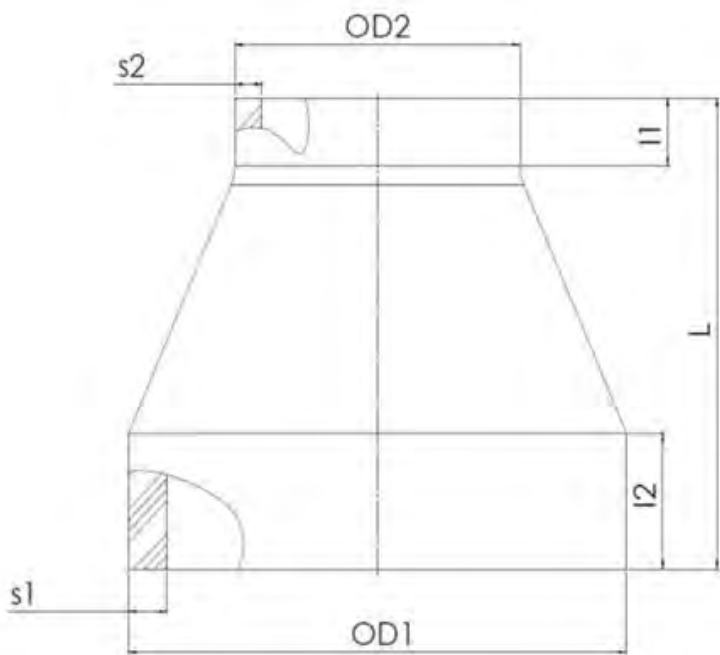


Reducers – Concentric – SDR 33

OD ¹	OD ²	L	l ¹	l ²
200	140	154	50	35
200	160	151	50	40
200	180	151	50	45
225	140	160	60	50
225	160	171	55	40
225	180	171	55	45
225	200	171	55	50
250	160	194	60	40
250	180	182	60	45
250	200	182	60	50
250	225	182	60	55
280	200	200	80	65
280	225	200	80	75
280	250	200	80	85
315	200	230	90	80
315	225	230	90	85
315	250	230	90	90
315	280	230	90	105

Reducers – Concentric – SDR 17

OD ¹	OD ²	L	l ¹	l ²
40	20	50	12	12
40	25	50	12	12
40	32	50	12	12
50	25	55	12	12
50	32	55	12	12
50	40	55	12	12
63	32	65	16	12
63	40	65	16	12
63	50	65	16	12
75	32	80	19	12
75	40	71	19	12
75	50	71	19	12
75	63	71	19	16
90	50	80	30	12
90	63	80	22	16
90	75	80	22	19
110	50	104	28	12
110	63	97	28	16
110	75	97	28	19
110	90	97	28	22
125	63	112	30	16
125	75	108	32	19
125	90	108	32	22
125	110	108	32	28
140	75	123	35	19
140	90	115	35	22
140	110	115	35	28
140	125	115	35	32
160	90	135	40	22
160	110	124	40	28
160	125	124	40	32
160	140	124	40	35
180	90	157	45	22
180	110	157	45	28
180	125	136	45	32
180	140	136	45	35
180	160	136	45	40
200	140	154	50	35
200	160	151	50	40
200	180	151	50	45
225	140	160	60	50
225	160	171	55	40
225	180	171	55	45
225	200	171	55	50
250	160	194	60	40
250	180	182	60	45
250	200	182	60	50
250	225	182	60	55
280	200	200	80	65
280	225	200	80	75
280	250	200	80	85
315	200	230	90	80
315	225	230	90	85
315	250	230	90	90
315	280	230	90	105





Reducers – Concentric – SDR 33

OD ¹	OD ²	L	I ¹	I ²
355	200	183	30	20
355	225	170	34	28
355	250	125	30	22
355	280	100	32	23
355	315	72	30	21
400	225	196	25	20
400	250	175	25	20
400	280	148	25	20
400	315	118	25	20
400	355	84	25	20
450	280	192	25	20
450	315	161	25	20
450	355	127	25	20
450	400	88	25	20
500	280	235	25	20
500	315	205	25	20
500	355	170	25	20
500	400	131	25	20
500	450	88	25	20
560	355	222	25	20
560	400	183	25	20
560	450	140	25	20
560	500	97	25	20
630	355	283	25	20
630	400	244	25	20
630	450	200	25	20
630	500	157	25	20
630	560	105	25	20

Reducers – Concentric – SDR 17 & 11

OD ¹	OD ²	L	I ¹	I ²
355	200	183	30	20
355	225	170	34	28
355	250	125	30	22
355	280	100	32	23
355	315	72	30	21
400	225	196	25	20
400	250	175	25	20
400	280	148	25	20
400	315	118	25	20
400	355	84	25	20
450	280	192	25	20
450	315	161	25	20
450	355	127	25	20
450	400	88	25	20
500	280	235	25	20
500	315	205	25	20
500	355	170	25	20
500	400	131	25	20
500	450	88	25	20
560	355	222	25	20
560	400	183	25	20
560	450	140	25	20
560	500	97	25	20
630	355	283	25	20
630	400	244	25	20
630	450	200	25	20
630	500	157	25	20
630	560	105	25	20



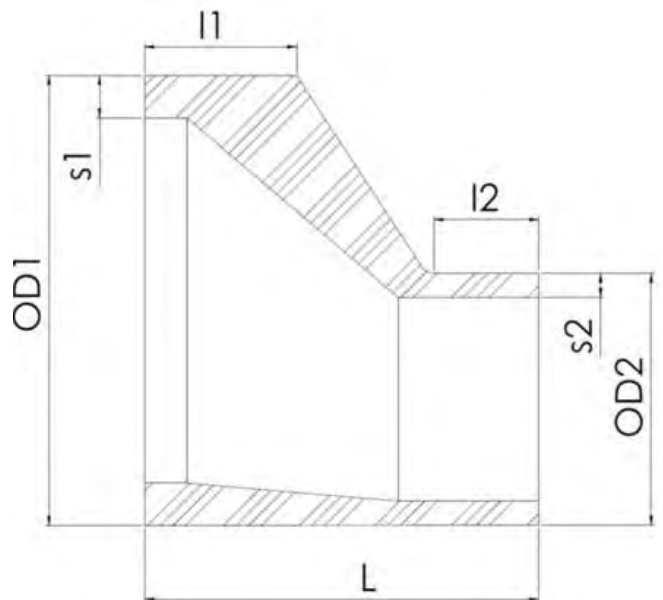


Reducers – Eccentric – SDR 33

OD ¹	OD ²	L	I ¹	I ²
160	90	140	54	40
160	110	120	45	40
160	125	110	44	40
160	140	90	33	40
180	110	140	54	40
180	125	130	52	40
180	140	110	41	40
180	160	100	43	40
200	125	150	61	40
200	140	130	50	40
200	160	110	41	40
200	180	100	43	40
225	140	160	65	40
225	160	140	57	40
225	180	120	48	40
225	200	100	40	40
250	160	160	62	40
250	180	140	54	40
250	200	130	55	40
250	225	100	40	40
280	180	170	66	40
280	200	150	58	40
280	225	130	52	40
280	250	110	47	40
315	200	190	78	40
315	225	160	62	40
315	250	140	57	40
315	280	120	54	40

Reducers – Eccentric – SDR 17 & 11

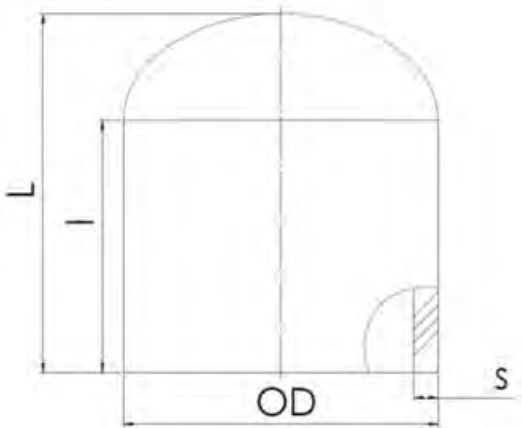
OD ¹	OD ²	SDR 17		SDR 11		I ²
		L	I ¹	L	I ¹	
160	90	140	54	120	54	40
160	110	120	45	120	45	40
160	125	110	44	110	44	40
160	140	90	33	100	43	40
180	110	140	54	140	54	40
180	125	130	52	130	52	40
180	140	110	41	120	51	40
180	160	90	33	100	43	40
200	125	150	61	150	61	40
200	140	130	50	130	50	40
200	160	110	41	120	51	40
200	180	100	43	100	43	40
225	140	160	65	160	65	40
225	160	140	57	140	57	40
225	180	120	48	120	48	40
225	200	100	40	110	50	40
250	160	160	62	170	72	40
250	180	140	54	150	64	40
250	200	130	55	130	55	40
250	225	100	40	110	50	40
280	180	170	66	180	76	40
280	200	150	58	160	68	40
280	225	130	52	140	62	40
280	250	110	47	120	57	40
315	200	190	78	190	78	40
315	225	160	62	170	72	40
315	250	140	57	150	67	40
315	280	120	54	130	64	40





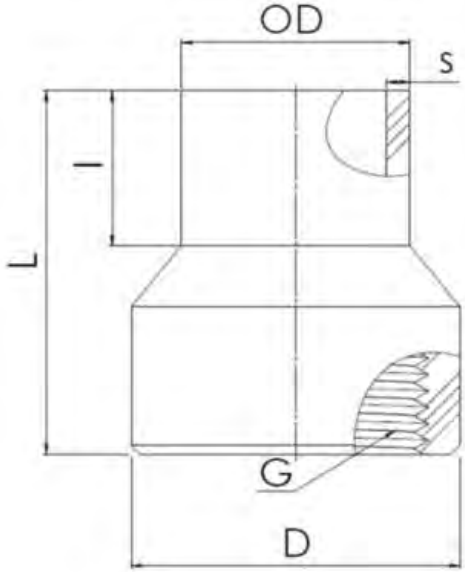
End Caps

OD	L	I
20	45	35
25	52	40
32	58	45
40	67	50
50	75	55
63	85	62
75	82	66
90	110	78
110	125	88
125	55	25
140	65	30
160	80	40
180	90	47
200	100	50
225	110	60



Adaptors - Female Thread

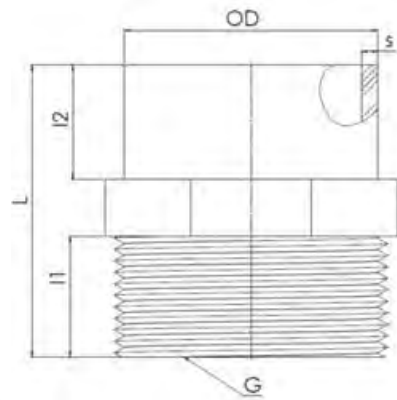
OD	G	L	I	D
25	1/2"	40	17	36
25	3/4"	39	10	41
32	1/2"	36	14	36
32	3/4"	36	12	41
32	1"	39	11	48
40	3/4"	45	17	50
40	1"	45	16	52
40	1 1/4"	45	13	64
50	1/2"	47	20	53
50	1"	47	20	54
50	1 1/4"	49	21	63
50	1 1/2"	49	17	69
63	2"	54	17	85
75	2 1/2"	58	16	90





End Caps

OD	G	L	I ¹	I ²
20	1/2"	46	19	18
25	3/4"	51	22	20
32	1"	61	28	24
40	1 1/4"	66	29	26
50	1 1/2"	74	32	28
63	2"	80	35	31



Adaptors - Female Thread

OD	Long - Z	Short - Z
20	190	110
25	190	110
32	190	110
40	190	110
50	190	110
63	190	110
75	260	110
90	300	180
110	340	180

